

## From 28 kN to 60 kN

Press Type		34	36
Working stroke	<b>A</b> mm	<b>0-12</b> <b>4-40</b> <b>6-60</b>	<b>0-12</b> <b>4-40</b> <b>6-60</b>
Nominal force at 6 bar	kN	28	28
Throat depth	<b>C</b> mm	131	131
Throat depth frame $\phi$	mm	151, 170	185
Fixture mounting platen suitable for throat depth frame		$\phi$	$\phi$
Ram bore	$\phi$ mm	20H7	20H7
External ram dimensions	<b>G x H</b> $\phi$ mm	36 x 63	46 x 86
<b>Working height</b>	<b>F</b>		
<b>Frame No. 34</b>	mm	100-250	
Frame No. 301	mm	160-400	
Frame No. 301-500	mm	310-550	
<b>Frame No. 35</b>	mm		100-250
Frame No. 35-500			150-500
Frame No. 35-600			250-600
Weight	approx. kg	90	150

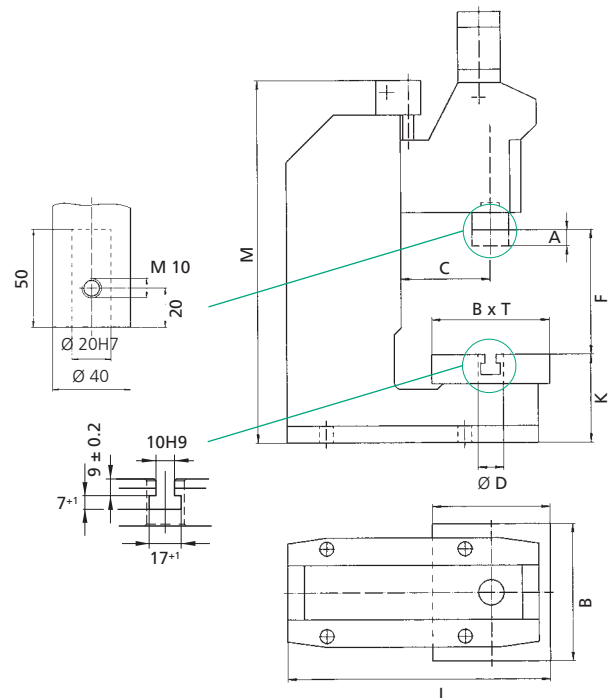
Frame Overview	Press Type	Frame Height M (mm)	Table Size B x T (mm)	Table Bore D $\phi$ mm	Table Height K (mm)	Mounting Surface B x L (mm)
<b>No. 34</b>	34	630	150 x 110	25H7	111	200 x 370
No. 301	34	830	160x400	40H7	145	250 x 460
No. 301-500	34	990	310x550	40H7	145	250 x 480
Special fixture mounting plate with 3 longitudinal slots $\phi$			300 x 220 400 x 230	40H7		
<b>No. 35</b>	36	700	300 x 220	40H7	141	300 x 480
No. 35-500	36	990	300 x 220	40H7	166	300 x 560
No. 35-600	36	1110	300 x 220	40H7	166	300 x 585
Special fixture mounting plate with 3 longitudinal slots $\phi$			355 x 225 400 x 280	40H7		

### Options

◦ Additional charge applies

### Other available Options

- Nickel plated – cast parts are electroless nickel plated, steel components black oxide finished, aluminum anodized, precision steel surfaces are untreated
- Custom Paint – press and column can be painted to customer's color specification
- Bores for adapting tooling – customer specific sizes can be supplied



Please consult our Sales Department or Representative.  
Detailed dimensional drawings can be downloaded: [www.schmidttechnology.de](http://www.schmidttechnology.de)