

SCHMIDT® Workstation



The **SCHMIDT® Workstation** offers a safe base for the vibration-free installation of all **SCHMIDT® Press systems**. They are suitable as seated or standing workstation according to the latest ergonomic guidelines. The **SCHMIDT® Workstation** is available in three standard sizes: PU-1, PU-2 and PU-10. Please find pictures and dimensional details below.

The basic structure is a robust welded frame. All surfaces are powder coated with standard **SCHMIDT® grey**. The telescoping, adjustable legs allow a total height adjustment of 340 mm / 13.4". The table top is made of composite or laminated wood, depending on table model.

The **SCHMIDT® Workstation** offers the following features:

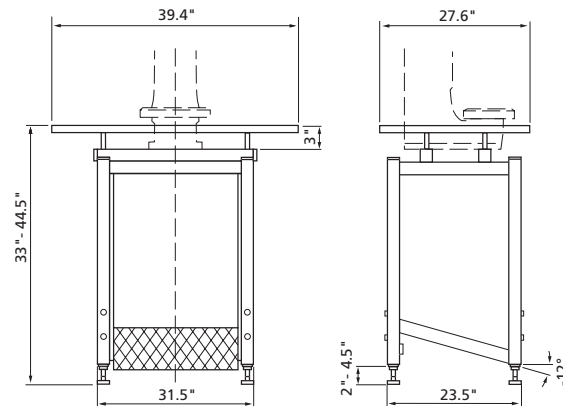
- Adjustable height (PU-10 is not adjustable, but can be ordered as sitting or standing workstation)
- Allows mounting of auxiliary components, such as part bins and staging, safety guarding, work piece clamping devices, rotary indexer, slide table, controls, etc.

Options:

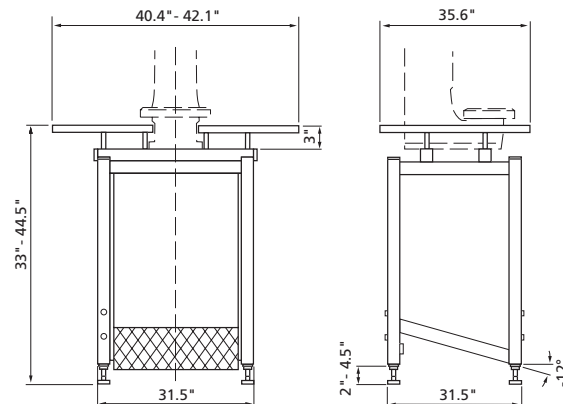
- Adjustable foot support (fixed support with PU-1 and PU-2)
- Alternate table top materials (nickel-plated steel, aluminum, stainless steel skin, composite)
- Casters, two of them swivel, two fixed (not height-adjustable)



PU 1 Press Base



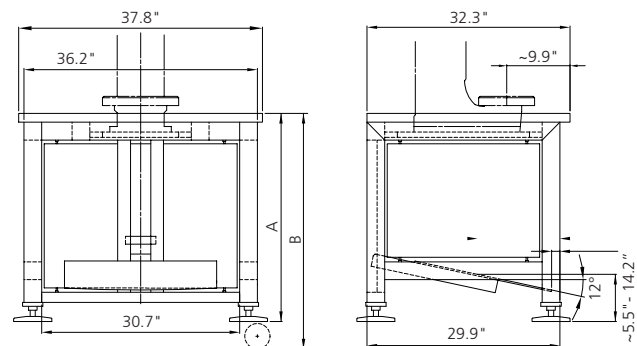
PU 2 Press Base



PU 10 Press Base



Casters for PU 10



Height as seated workstation: **A** 820 – 880 mm / 32.28 – 34.65 inches, **B** with casters, 920 mm / 36.22 inches
 Height in standing position: **A** 1020 – 1070 mm / 40.16 – 42.13 inches, **B** with casters, 1110 mm / 43.70 inches

Dimensions are for reference only