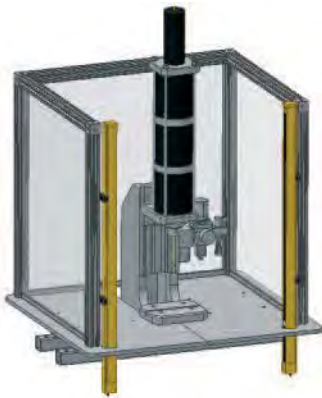
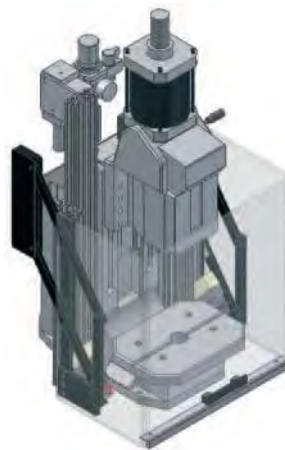


Improve Safety by using guarding



Box Guarding with Light Curtain

Features:
Can be used in most work cell concepts. Light Curtain typically used with Box Guarding. Protects operator from press station. It can be interlocked into control safety.



Balanced Guard

Features:
For single press & slide table. Full physical guarding with safety switch. Switch can be interlocked into control safety circuit which will prevent interruption of cycle by the operator. Suitable for long process time or multiple cycles



Swing Gate

Features:
Suitable for slide table, shuttle table & rotary index table. Allows full, physical guarding. Opening is contoured according to work piece. Switch can be interlocked into control safety circuit.



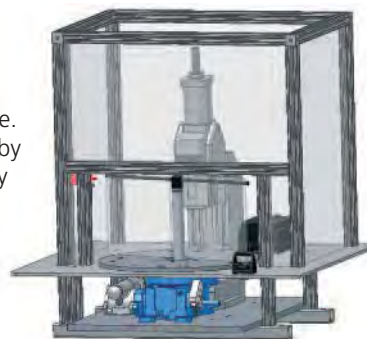
Bay Window

Features:
Can be used with Rotary index table. Two independent gates with interlock switch.



Gravity Gate

Features:
Suitable for a single press with or without a slide table. Prevents cycle interruption by the operator. Locking safety switch is included.



Rotary Gate

Features:
Rotary gate with interlock switch can be used with tall work pieces on a rotary index table. Allows full physical guarding. Switch can be interlocked into control safety circuit.