

SCHMIDT® PneumaticPress

Pneumatic Toggle Presses with Maximum Force at the End of Stroke

Features

- Cross hole with locking screw in the press table for safe installation of tool
- Accurate adjustable ram position via fine adjustment (Type 33)
- T-slot with set screw in fixture mounting platen to secure bottom tool



Press Type 32



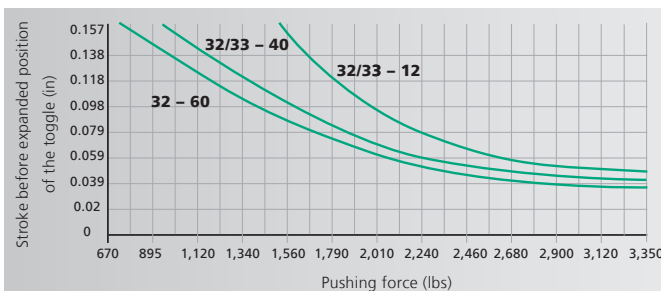
Press Type 33



Fine Adjustment
for Press No. 33 with scale
1 division line = 0.0007 inch.



Flexible Stroke Adjustment
reduces the air consumption
for shorter strokes.



Up to 15 kN / 3,375 lbs.

Press Type		32	33
Working stroke	A mm	0-12 4-40 6-60	0-12 4-40
Nominal force at 87 psi	lbs	3,375	3,375
Throat depth	C inch	3.38	3.38
Throat depth frame \varnothing	inch	4.37, 5.15	4.37, 5.15
Additional fixture mounting plate suitable for throat depth frame		\varnothing	\varnothing
Ram bore	\varnothing mm	20H7	20H7
External ram dimensions	\varnothing inch	1.57	1.57
Fine adjustment			•
Working height	F		
Frame No. 3	inch	3.54 - 8.26	
Frame No. 2	inch	4.72 - 13.38	2.75 - 11.41
Frame No. 2-600 \varnothing	inch	8.26 - 22.83	6.29 - 20.86
Frame No. 2-1000 \varnothing	inch	13.38 - 40.15	11.41 - 38.18
Weight	approx. lbs	100	110

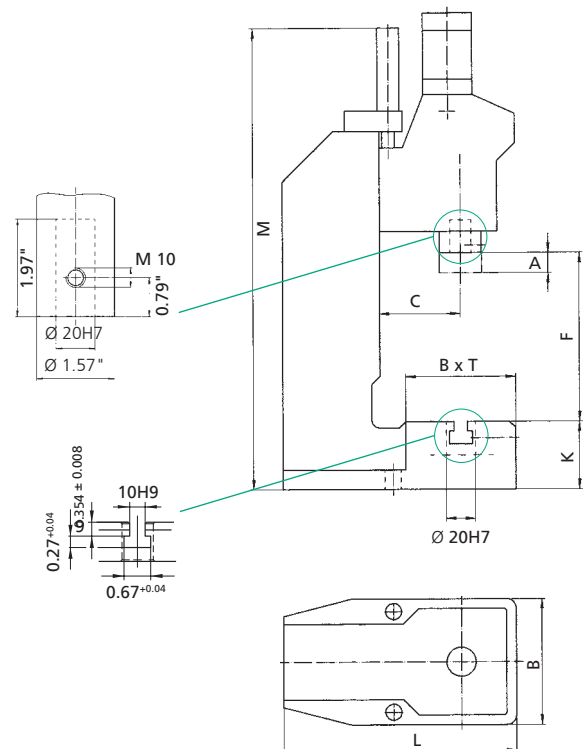
Frame Overview	Press Type	Frame Height M (inch)	Table Size B x T (inch)	Table Bore \varnothing (mm)	Table Height K (inch)	Mounting Surface B x L (inch)
No. 3	32	21.25	5.90 x 4.33	20H7	2.36	5.90 x 10.23
No. 2	32, 33	27.55	7.28 x 4.33	20H7	2.36	7.28 x 11.02
Frame No. 2-600 \varnothing	32, 33	38.34	7.87 x 6.29	20H7	3.85	7.87 x 11.41
Frame No. 2-1000 \varnothing	32, 33	55.51	7.87 x 6.29	20H7	3.85	7.87 x 11.41

Options

- Standard with no additional charge
- Additional charges apply

Other available Options

- Nickel plated – cast parts are electroless nickel plated, steel components black oxide finished, aluminum anodized, precision steel surfaces are untreated
- Custom Paint – press and column can be painted to customer's color specification
- Bores for adapting tooling – customer specific sizes can be supplied



Please consult our Sales Department or Representative.
Detailed dimensional drawings can be downloaded: www.schmidtpresses.com

SCHMIDT® PneumaticPress

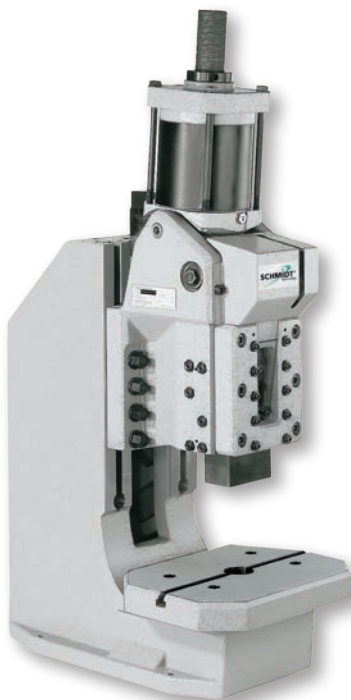
Pneumatic Toggle Presses with Maximum Force at the End of Stroke

Features

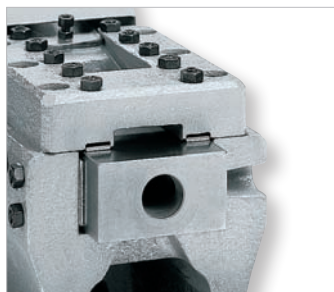
- Anti-rotational square ram with fully adjustable, Teflon lined gibs for precise travel, no die set required
- Exact positioning due to fine adjustment scale (1 division line = 0.001 inch)



Press Type 34



Press Type 36



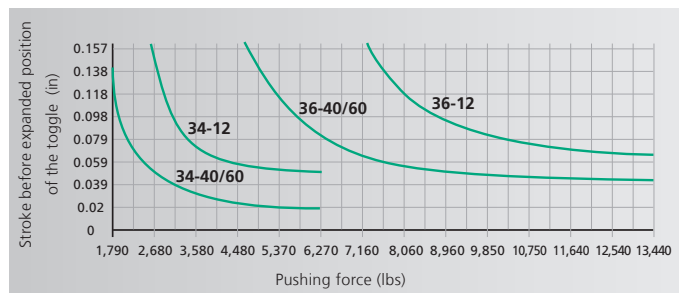
Square Ram



Fine Adjustment

Pushing Force Diagram

Operational pressure: 87 psi



From 28 kN to 60 kN / 6,295 lbs. to 13,490 lbs.

Press Type		34	36
Working stroke	A mm	0-12 4-40 6-60	0-12 4-40 6-60
Nominal force at 87 psi	lbs	6,295	13,490
Throat depth	C inch	5.15	5.15
Throat depth frame \circ	inch	5.94, 6.69	7.28
Fixture mounting platen suitable for throat depth frame		\circ	\circ
Ram bore	\emptyset mm	20H7	20H7
External ram dimensions	G x H \emptyset inch	1.41 x 2.48	1.81 x 3.38
Working height			
Frame No. 34	inch	3.93-9.84	
Frame No. 301	inch	6.29-15.74	
Frame No. 301-500 \circ	inch	12.20-21.65	
Frame No. 35	inch		3.93-9.84
Frame No. 35-500 \circ	inch		5.90-19.68
Frame No. 35-600 \circ	inch		9.84-23.62
Weight	approx. lbs	200	330

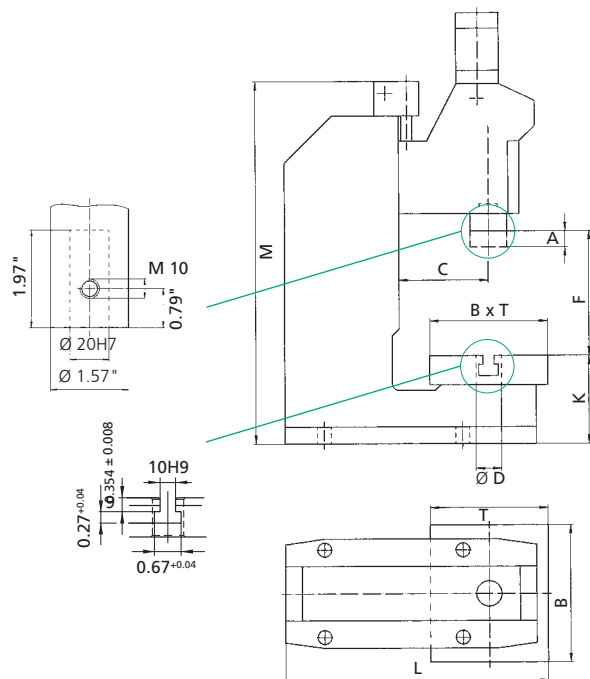
Frame Overview	Press Type	Frame Height M (inch)	Table Size B x T (inch)	Table Bore D \emptyset (mm)	Table Height K (inch)	Mounting Surface B x L (inch)
No. 34	34	24.80	5.90 x 4.33	25H7	4.37	7.87 x 14.56
No. 301	34	32.67	6.29 x 15.74	40H7	5.70	9.84 x 18.11
No. 301-500	34	38.97	12.20 x 21.65	40H7	5.70	9.84 x 18.89
Special fixture mounting plate with 3 longitudinal slots \circ			11.81 x 8.66 15.74 x 9.05	40H7		
No. 35	36	27.55	11.81 x 8.66	40H7	5.55	11.81 x 18.89
No. 35-500	36	38.97	11.81 x 8.66	40H7	6.53	11.81 x 18.89
No. 35-600	36	43.70	11.81 x 8.66	40H7	6.53	11.81 x 23.03
Special fixture mounting plate with 3 longitudinal slots \circ			13.97 x 8.85 15.74 x 11.02	40H7		

Options

\circ Additional charges apply

Other available Options

- Nickel plated – cast parts are electroless nickel plated, steel components black oxide finished, aluminum anodized, precision steel surfaces are untreated
- Custom Paint – press and column can be painted to customer's color specification
- Bores for adapting tooling – customer specific sizes can be supplied



Please consult our Sales Department or Representative.
Detailed dimensional drawings can be downloaded: www.schmidtpresses.com