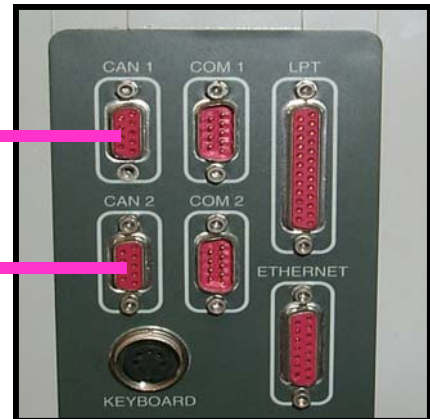


PRC 4000 WITH SINGLE SERVO MODULE WITHOUT AUXILIARY BOX

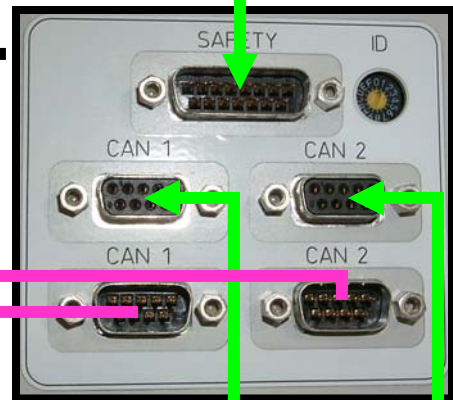
PRC 4000 CONNECTION



SERVO MODULE CONNECTION



Safety circuit
Please reference the electrical schematic for connection



TERMINATING RESISTORS

PRC 4000 WITH SINGLE SERVO MODULE WITH AUXILIARY BOX

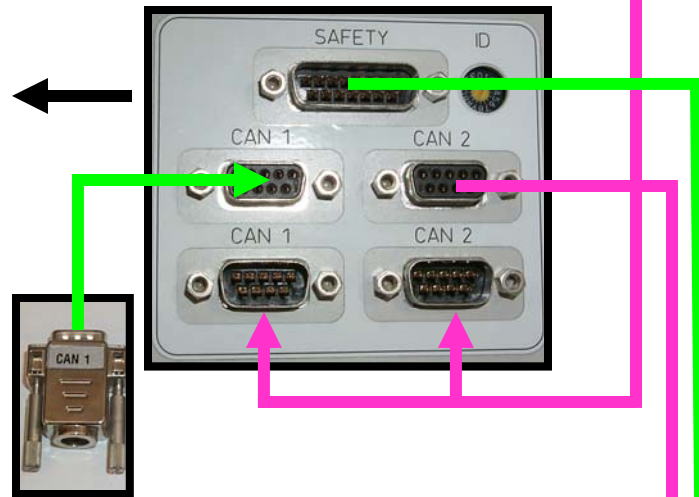
PRC 4000 CONNECTION



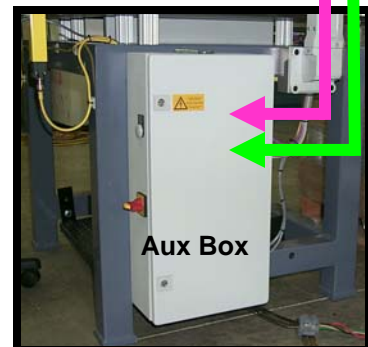
Safety circuit

Please reference the electrical schematic for connection

SERVO CONNECTION



TERMINATING RESISTOR



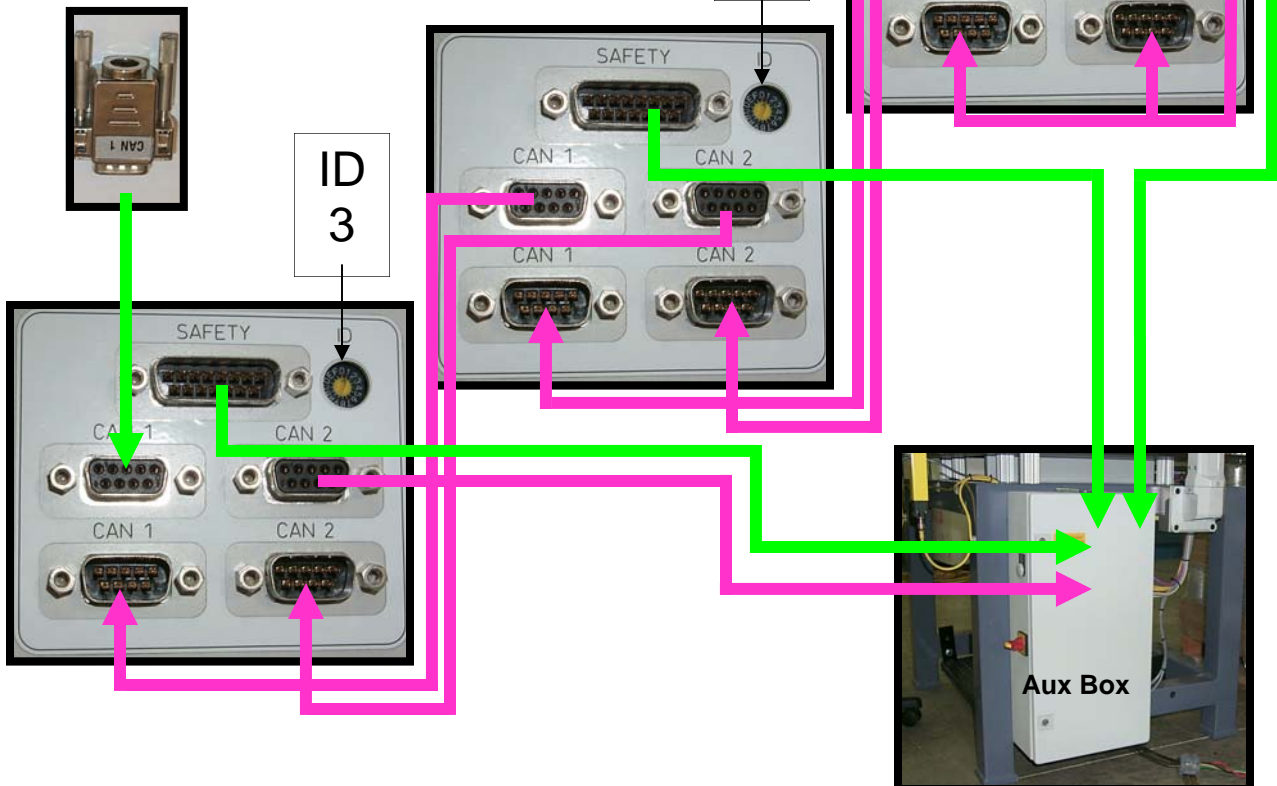
PRC 4000 WITH MULTIPLE SERVO MODULES WITH AUXILIARY BOX

PRC4000 CONNECTION

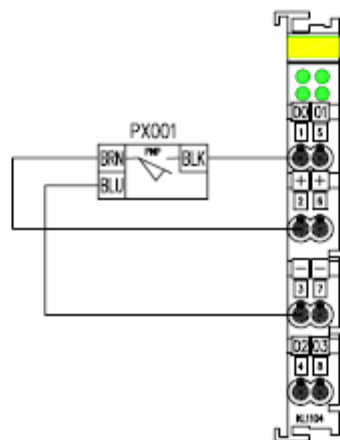
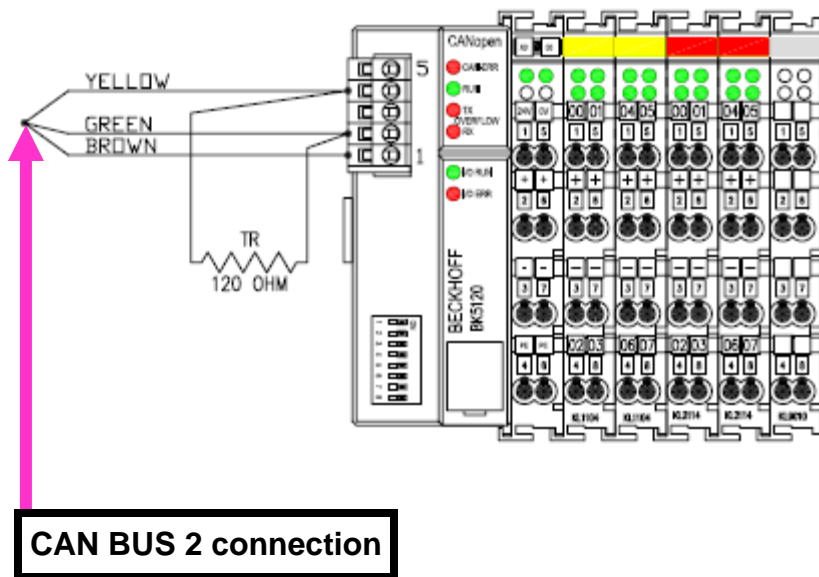


ID 1

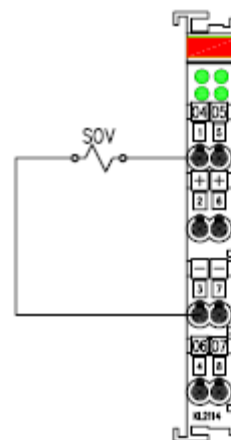
MULTI AXIS SERVO CONNECTION



Typical I/O connection using BECKHOFF BK5120 CAN BUS Coupler



TYPICAL INPUT MODULE WIRING.



TYPICAL OUTPUT MODULE WIRING.